



General ProMax Specifications

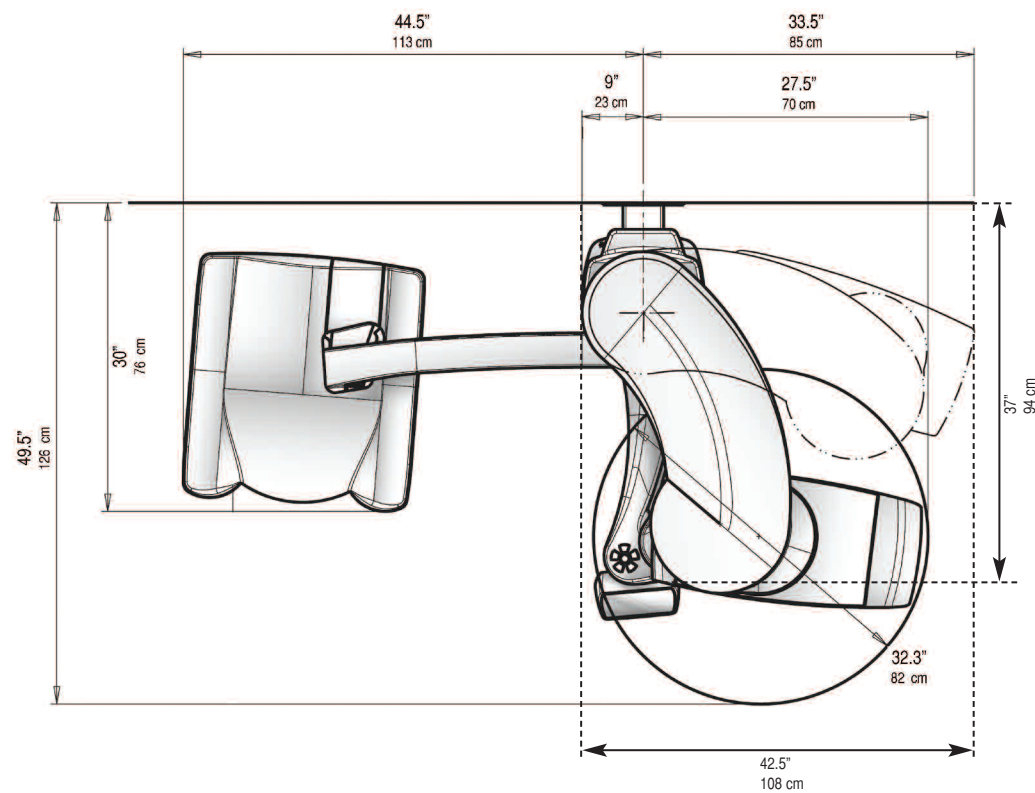
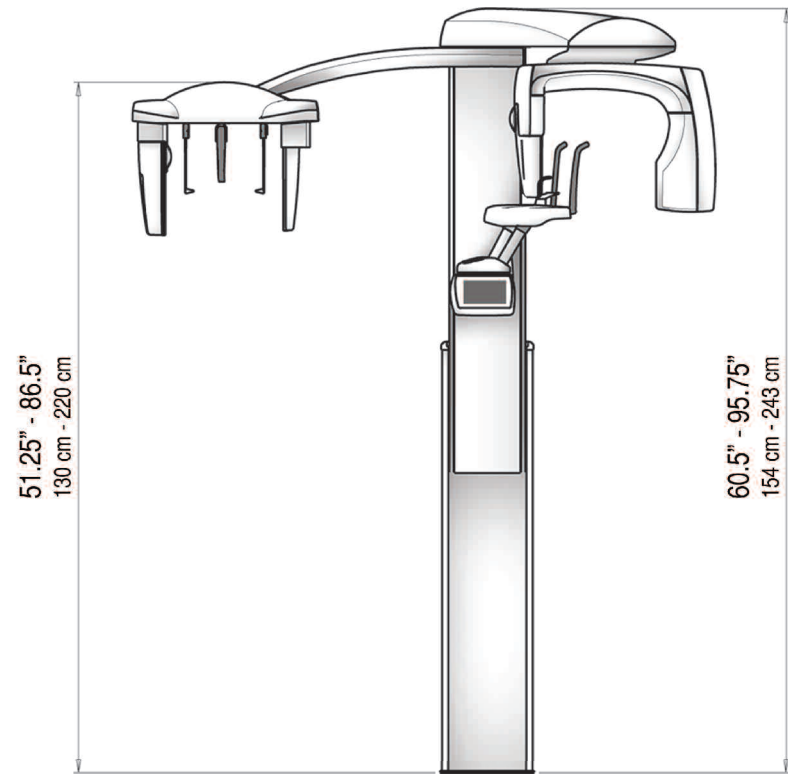
Generator	Constant potential, microprocessor controlled, operating frequency 80kHz
X-ray tube	D-052SB
Focal spot size	0.5 x 0.5 mm (IEC 336)
Total filtration	2.5 mm Al equivalent
Anode voltage	Pan 50 - 84 kV Ceph 60 -84 kV Tomo 50 - 80 kV
Anode current	Pan 1 - 16 mA DC Ceph 1 - 16 mA DC Tomo 0.5 - 15 mA DC
SID	Pan 480 mm (19 in.) Ceph 163 - 170 cm (64 -67 in.)
Primary collimator	Automatic 4-blade
Focal Trough	9-way adjustment
Segmentation	5 vertical; 3 horizontal
Line voltage regulation	100 - 240 VAC 50 / 60 Hz, ± 10 % (automatic)
Line current	8 - 15 Amps
Exterior color	RAL 9016 (white)
Weight	ProMax pan only - 113 kg (248 lbs.) ProMax pan / ceph - 128 kg (282 lbs.)

ProMax Film Specifications

Film size	Pan 15 x 30 cm Pan 12.5 x 30 cm Ceph 18 x 24 cm Ceph 8 x 10 in Ceph 24 x 30 cm
Cassette type	Flat
Scan time	Pan 2.7 - 16 sec Ceph 0.2 - 5 sec Tomo 3 - 12 sec
Magnification	Pan constant 1.2 Ceph film 1.08 - 1.13

ProMax Digital Specifications

Digital sensor	CCD Technology
CCD pixel size	33 microns
Image pixel size (selectable)	66 microns, 99 microns, 132 microns
CCD sensor active sensor area	Pan: 9 x 136 mm Ceph: 9 x 270 mm
Grayscale range	12 to 16-bit dynamic range 131,072 grayscale
Image resolution	Pan: 9 lp / mm Ceph: 5.7 lp / mm
Magnification	Pan constant 1.2 Ceph digital 1.13
High speed ceph	Reduce scan time by 50%
Scan time	Pan: 2.5 - 16 sec Ceph: 10 -17 sec Tomo: 3 - 12 sec
Digital image field	Pan: 14 x 30 cm (5.5 x 12") Ceph: 24 x 18 cm (9 x 7") Ceph: 24 x 29 cm (9 x 11.4") Ceph: 27 x 18 cm (10.6 x 7") Ceph: 27 x 29 cm (10.6 x 11.4") Ceph: 18 x 24 cm (7 x 9") Ceph: 18 x 27 cm (7 x 10.6") Ceph: 29 x 24 cm (11.4 x 9") Ceph: 29 x 27 cm (11.4 x 10.6")



Dimensions and space requirements

	PLANMECA ProMax	PLANMECA ProMax w / Cephalostat	
Physical Space Requirements	Width	113 cm (44.5 in.)	198 cm (78 in.)
	Depth	126 cm (49.5 in.)	76 cm (30 in.)
	Height*	154 - 243 cm (60.5 - 95.75 in.)	130 - 220 cm (51.25 - 86.5 in.)
Minimum Operational Space Requirements	Width	150 cm (59 in.)	216 cm (85 in.)
	Depth	163 cm (64 in.)	163 cm (64 in.)
	Height*	244 cm (96 in.)	244 cm (96 in.)
	Weight	113 kg (248 lbs)	128 kg (282 lbs)

* The maximum height of the unit can be adjusted for offices with limited ceiling clearance