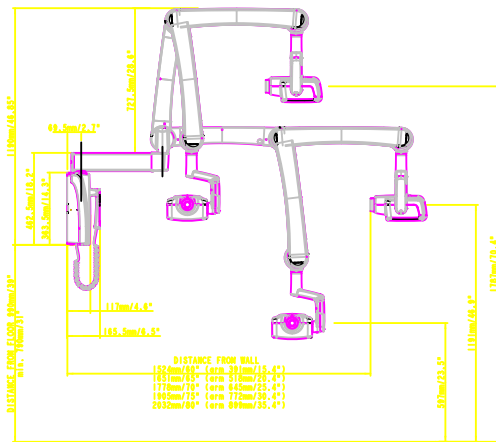
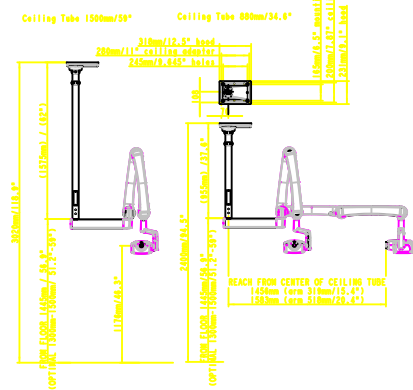


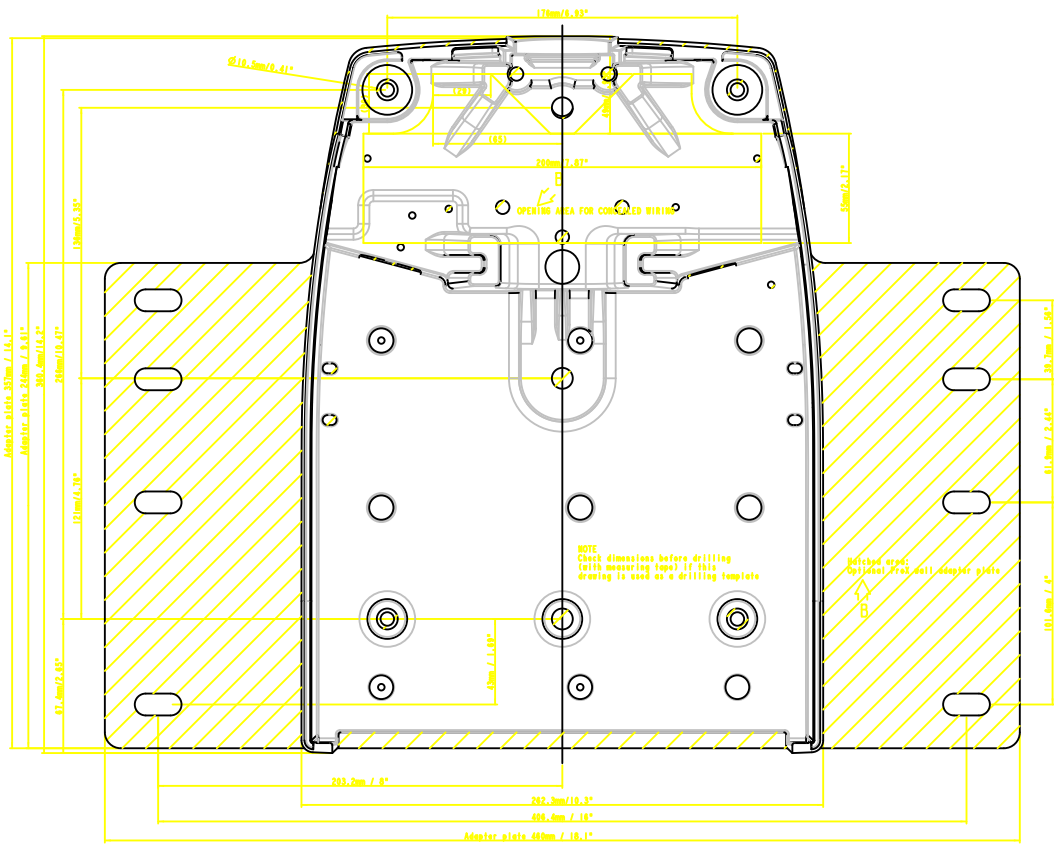
STANDARD WALL MOUNTINGS 1:10



B ⇨ CEILING MOUNTINGS 1:20



STANDARD WALL MOUNTING 1:1



SUPPORT REQUIREMENTS

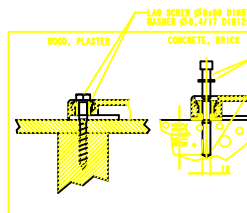
4 lag screws are supplied for mounting the equipment on 2x4 wood studs (distance 406.4 / 16").

NOTE: Don't use any expansion anchors for wood studs & allen screws and expansion anchors are supplied for mounting the equipment on brick or concrete wall.

The wall construction must be able to resist a shear load of 726g (160pounds) and withdrawal of 2000g (445pounds) at each of the four attachment locations. Otherwise some additional mounting supports must be used to fulfill this requirement.

The wettest material of wooden wall must be hard enough to carry the load caused by the force of the equipment. For this reason, wood fibre board is preferred to plaster board.

OTHER ASSEMBLY OPTIONS (DENTAL UNIT, ETC.), SEE PLAMECCA PROX OR DENTAL UNIT INSTALLATION MANUAL



Revision	Description of change	Author	Date
A	0004131 Original design	Syz/B10	07.11.12
B	0004131 Connected wiring opening, Ceiling installation	Shpiln	16.1.12

PLAMECCA PROX Installation template

Part No: 10032411

228888-B

© Copyright Plamecca Oy - all rights reserved.